

3M™ AL Series

Filter Housing

The 3M™ AL series filter housing, constructed from durable low-cost cast iron and steel is a quality-built vessel designed to satisfy general-purpose industrial and commercial filtration needs. The 3M AL series filter housing features a three piece design with centerpost construction. Long-lasting stainless steel internal components make maintenance quick and easy.

The 3M AL series filter housing is designed to accommodate liquids at a maximum of 150 psi at 250 °F. Available in a wide range of sizes, from a 3 cartridge model to an 18 cartridge model, the 3M AL series filter housing can be used in systems with flow rates up to 105 gpm (water).

Standard Specifications

Table 1 gives specifications for the 3M AL series filter housing. In Table 1, note that maximum operating pressure is the rating for the housing only. Actual filter operating temperature depends on capability of the filter cartridge used in the housing.

Table 1. Model AI Specifications

Operating Data		
Housing Model	3AL Model	6AL Model
Maximum Operating Pressure and Temperature	150 psi @ 250°F	
Flow Rate (GPM)	See Table 2	
Connection Sizes	1 ½" NPTF- 2" NPTF	
Cartridge Sizes	9 ¾" to 30"	
Materials of Construction		
Head	Cast Iron	
Cover	Steel	
Shell	Steel	
Centerpost	Steel	
Shell Gasket- Standard	Buna N	
Shell Gasket- Optional	Cork, EPR, Neoprene, Fluorocarbon (order separately)	
Cap-Nut	Fiber	
Cartridge Pedestals	304 Stainless Steel	
Cartridge Posts		

Features & Benefits

Materials

- Cost- effective, durable cast iron and steel with stainless steel internals

3- Piece Construction

- Housing disassembles for quick and easy cleaning

Removable Cartridge Posts

Gauge Port connections

Convenient Drains and Petcock Vent

Mounting Pads to securely hold housing



Applicable Filter Cartridges

Betapure™

Betafine™

Betapure™ PK Series

Micro-Klean™ CS Series

LifeASSURE™ MFE

Micro-Klean™ RB Series

Micro-Klean™ RT Series

Table 2. Cartridge Requirements

Housing Model	Number of Cartridges/EQSL* Required	Cartridge Length
3AL1	3/3	10"
3AL2	3/6	20"
3AL3	3/9	30"
6AL1	6/6	10"
6AL2	6/12	20"
6AL3	6/18	30"

*EQSL- Equivalent Single Length (9 ¾" or 10")

Cartridge Requirements

Table 2 lists the number of filter cartridges required for the 3M AL series filter housing.

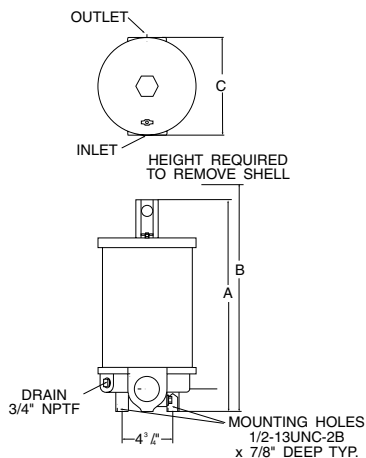


Flow Rates

Table 3 lists the maximum liquid flow rate (gpm) for the 3M™ AL series filter housing. Use the data in Table 3 only as a guide in establishing the maximum housing flow capability; do not use it for filter sizing. Once the flow rate for a selected cartridge is known, then use Table 3 to check whether the housing's flow rates fall within the recommended guidelines. When sizing a filter, the amount of contaminant to be reduced needs to be considered in addition to the flow rate and pressure drop. Low initial drop enhances filter cartridge life.

Standard Model Dimensions

Table 4 gives dimensions in inches and shipping weight in pounds for the 3M AL series filter housing. To find a selected dimension of a housing, locate the model in the left column and the selected dimension symbol from Figure 1 (A-C) in the top row. Where the row and column meet is the selected dimension. For critical installation requirements, request a certified drawing.



Replacement Parts

3M Purification Inc. dealers stock replacement parts for customer convenience. A complete list of replacement parts is enclosed with the product.

Table 3. Recommended Flow Rates

Housing Model	Flow (gpm)					
	Water	80 SSU	150 SSU	300 SSU	600 SSU	1000 SSU
3AL	65	52	43	35	24	16
6AL	105	85	78	70	51	35

Table 4. 3M™ AL Series Filter Housing Dimensions

Model	A	B	C	Shipping Weight (lbs)
3AL1	19 3/4"	26"	7 5/8"	47
3AL2	30 1/8"	46"		61
3AL3	40"	66"		71
6AL1	20 1/2"	27"	9 1/2"	77
6AL2	30 7/8"	47"		94
6AL3	40 3/4"	67"		112

3M™ AL Series Filter Housing Ordering Guide

Model	Catalog Number	Model	Catalog Number
3AL1	44079-01	6AL1	44080-01
3AL2	44079-02	6AL2	44080-02
3AL3	44079-03	6AL3	44080-03

Important Notice

The information described in this literature is accurate to the best of our knowledge. A variety of factors, however, can affect the performance of the Product(s) in a particular application, some of which are uniquely within your knowledge and control. **INFORMATION IS SUPPLIED UPON THE CONDITION THAT THE PERSONS RECEIVING THE SAME WILL MAKE THEIR OWN DETERMINATION AS TO ITS SUITABILITY FOR THEIR USE. IN NO EVENT WILL 3M PURIFICATION INC. BE RESPONSIBLE FOR DAMAGES OF ANY NATURE WHATSOEVER RESULTING FROM THE USE OF OR RELIANCE UPON INFORMATION.**

It is your responsibility to determine if additional testing or information is required and if this product is fit for a particular purpose and suitable in your specific application.

3M PURIFICATION INC. MAKES NO REPRESENTATIONS OR WARRANTIES, EITHER EXPRESS OR IMPLIED INCLUDING WITHOUT LIMITATION ANY WARRANTIES OF MERCHANTABILITY, FITNESS FOR A PARTICULAR PURPOSE OR OF ANY OTHER NATURE HEREUNDER WITH RESPECT TO INFORMATION OR THE PRODUCT TO WHICH INFORMATION REFERS.

Limitation of Liability

3M Purification Inc. will not be liable for any loss or damage arising from the use of the Product(s), whether direct, indirect, special, incidental, or consequential, regardless of the legal theory asserted, including warranty, contract, negligence or strict liability. Some states do not allow the exclusion or limitation of incidental or consequential damages, so the above limitation may not apply to you.



3M Purification Inc.
400 Research Parkway
Meriden, CT 06450
U.S.A.
Phone (800) 243-6894
(203) 237-5541
Fax (203) 630-4530
www.3Mpurification.com

Your Local Distributor:

Please recycle. Printed in U.S.A.
3M is a trademark of 3M Company.
Betapure, Betafine, LifeASSURE, and Micro-Klean are trademarks of
3M Company used under license.
© 2011 3M Company. All rights reserved.
70-0201-8754-1 REV 1111b

Mouser Electronics

Authorized Distributor

Click to View Pricing, Inventory, Delivery & Lifecycle Information:

[3M:](#)

[7000125561](#)